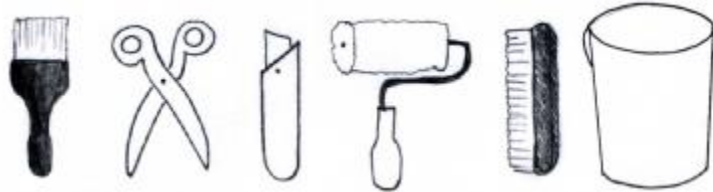


How to apply a Komar Photomural

Tools:



cutter, a pair of scissors, a bucket, a brush, metre rule, a pencil and a soft wallpaper brush or a foam roll.

Instructions:

1. Prepare the ground

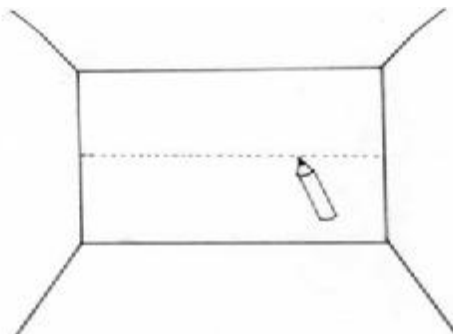
The wall or door surface has to be prepared in the same way as for ordinary wallpaper: Rough areas have to be eliminated; the ground should be plane, dry and free of dust, oil-based paint or any previous wall covering.

2. Prepare the enclosed wallpaper paste:

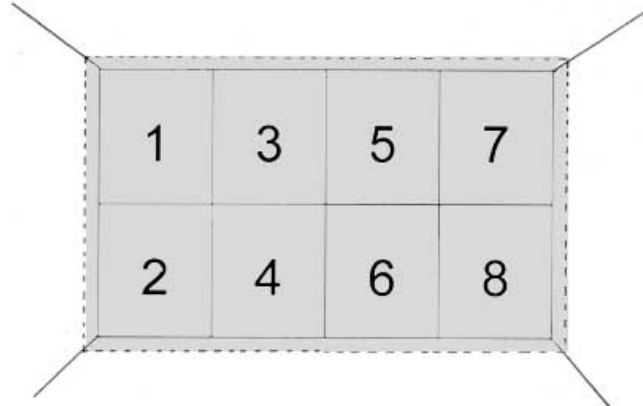
Add slowly one litre of water to 40 gr paste till the required texture is achieved. In case additional paste is required any other standard paste can be used.



3. Sizing the wall. Draw a horizontal line equidistant from floor to ceiling to align the panel later when mounted.



4. Lay out the design



Cut up to the rough size of the wall

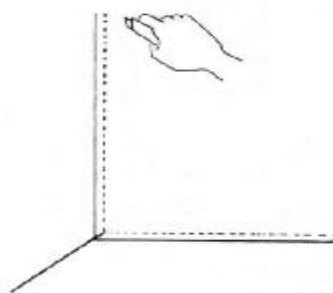
5. Apply the photomural

- Apply the glue carefully and uniformly taking particular care to coat the edges. Do not fold the pasted panel and apply within 1-2 min. Do not soak the paper in paste humidity.



- Continue applying pieces carefully, overlap edges by approximately 1mm

6. Wait 120 min. minimum to dry the photomural. Finish off by trimming any excess.



Enjoy your new view !

TIPS

- Small bubbles will disappear when the photomural is dry.
- Avoid any draft and work at a temperature of app. 20°C otherwise the photomural may crack
- Check the photomural before applying paste as we cannot assume liability for the cost of placing the mural.